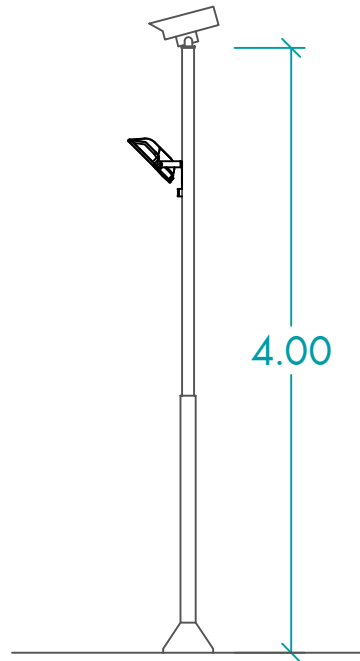


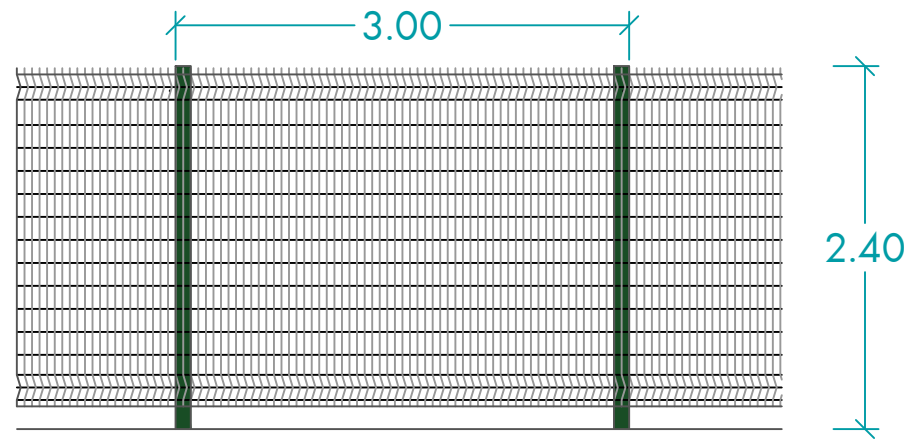
# Appendix 1.4

## Security Fence and Pole Mount Elevations

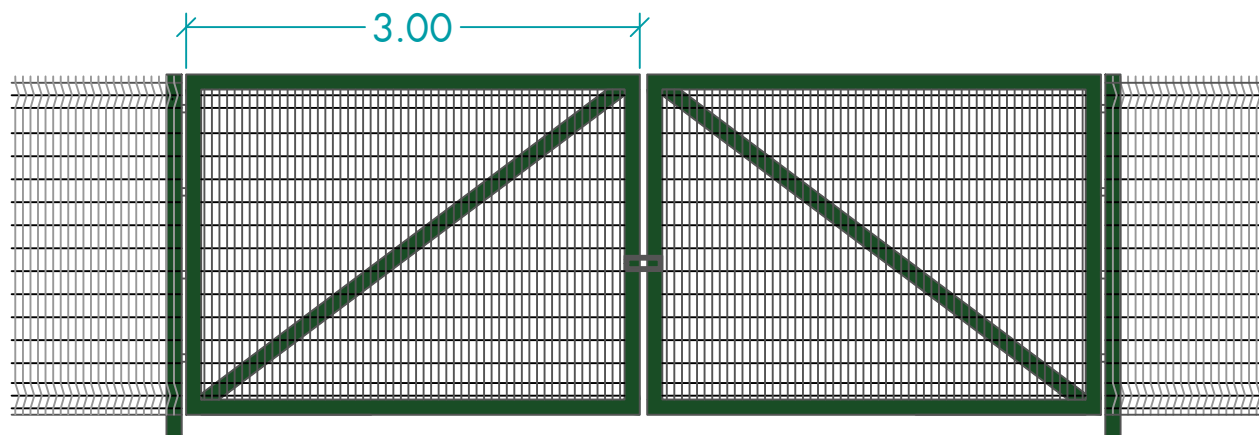
Pole Mount Elevation



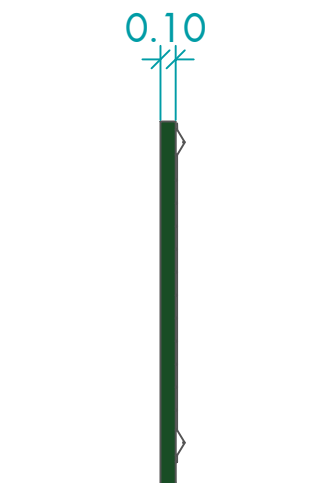
Security Gate Elevation



Security Gate Elevation



Security Fence Side Elevation

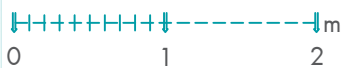


### Drawing Details

Drawing illustrating elevations for the proposed perimeter security fencing and access gate.

CCTV and motion censored lighting will be mounted on 4m high poles.

Scale at A3 1:50



Client Name Advance Grid Solutions Limited  
 Project Name Muttonhole Road BESS  
 Drawing Reference COG511/APP/014/a  
 Date 29/08/24

This drawing is the property of Cogeo Planning & Environmental Services Ltd. Copyright is reserved by them & the drawing is issued on the condition that it is not copied either wholly or in any part without the written consent of Cogeo. Ordnance Survey © Crown Copyright 2023. All rights reserved. Licence number 100022432